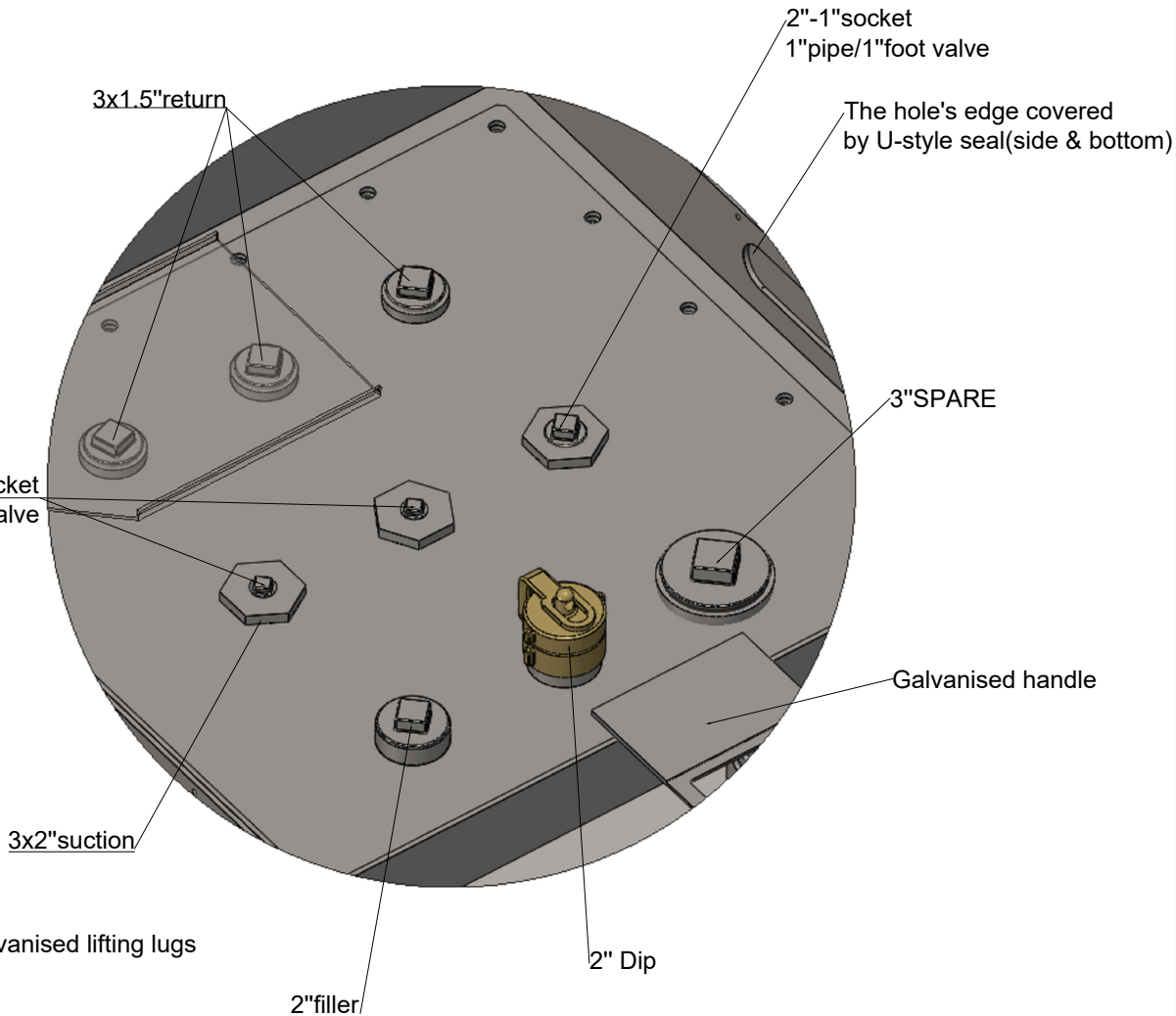
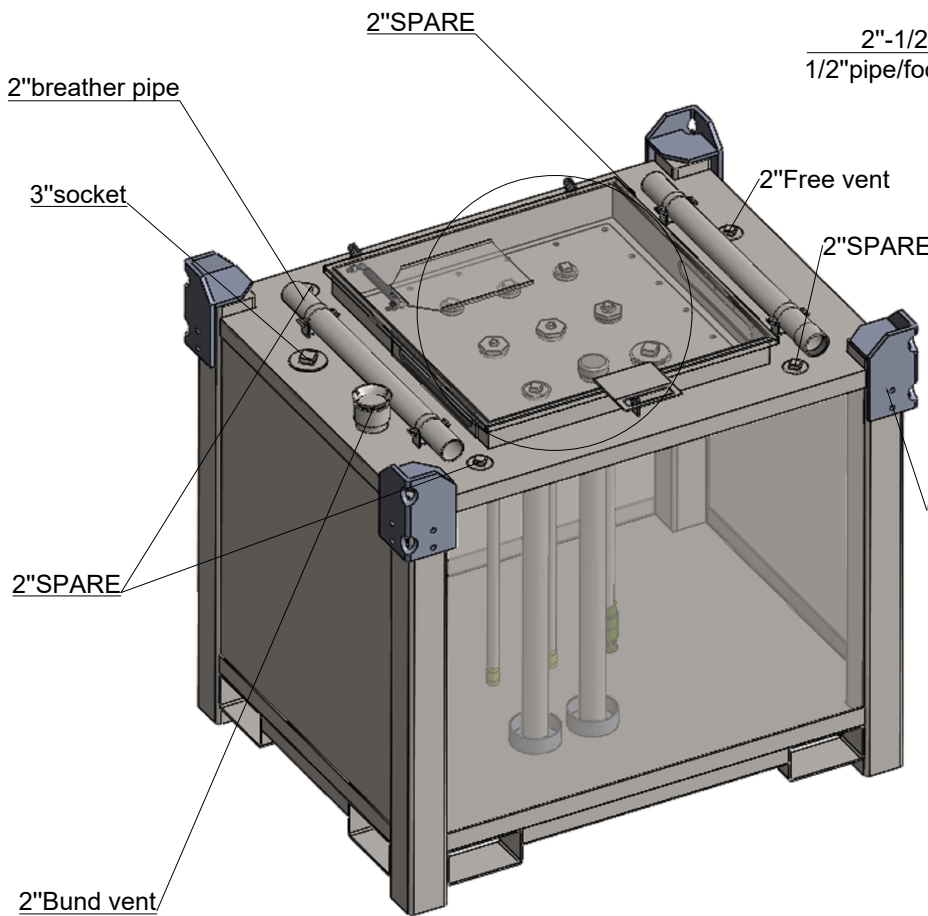


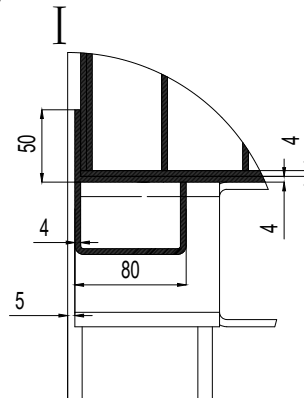
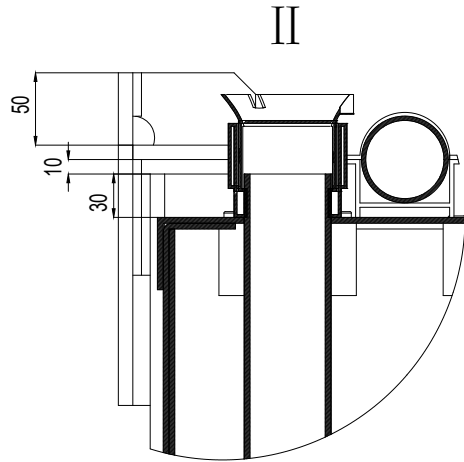
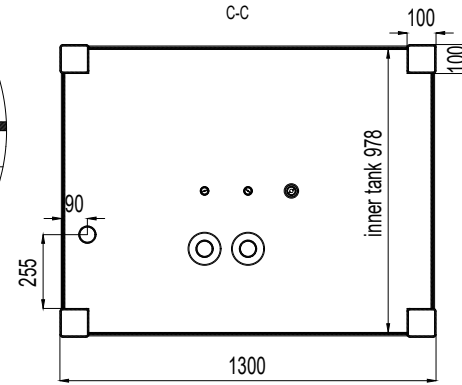
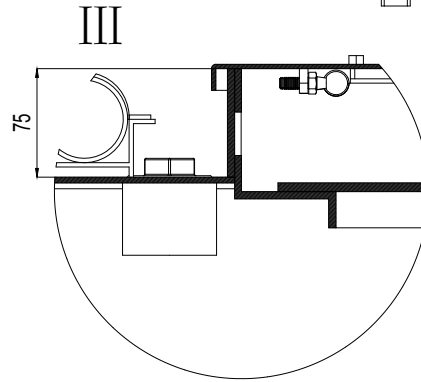
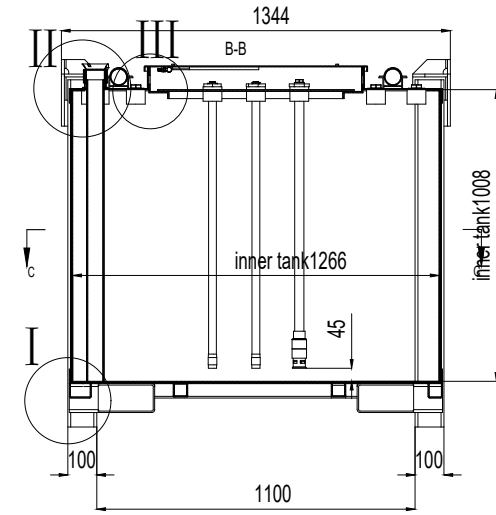
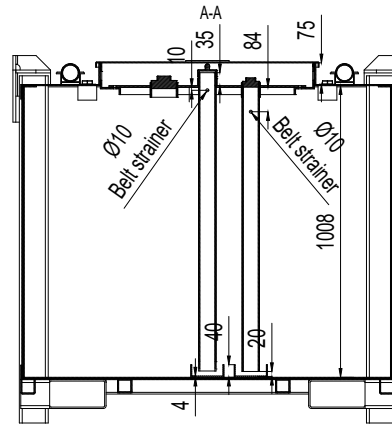
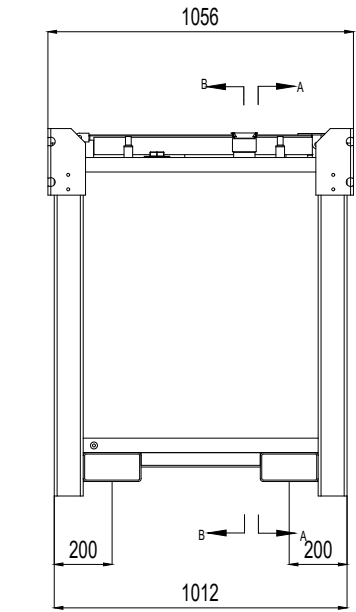
Tank

TANK CONTENTS	DIESEL
DESIGNED TO	AS1940/AS1692
PLATE THICKNESS,Material	4/4mm, Q235B
pressue Test	35KPA
External size	1374x1086x1270mm
Internal size	1266x978x1008mm
GROSS VOLUME	1100L
SAFE FILL LEVEL	1000L
N.D.T	Require By Client
TOTAL MASS	584.9KG

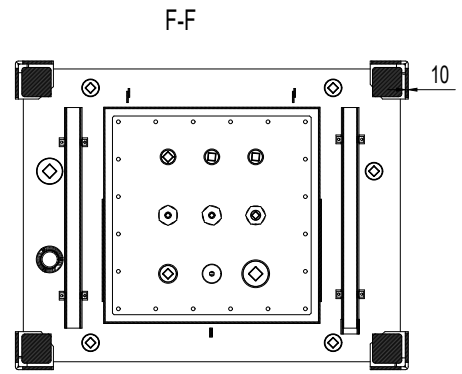
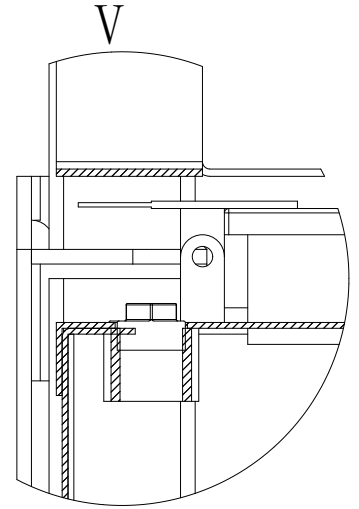
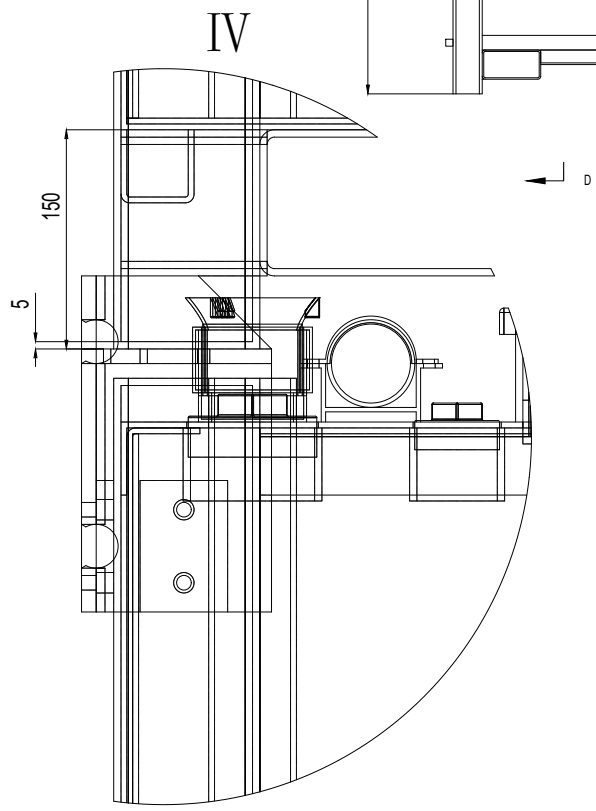
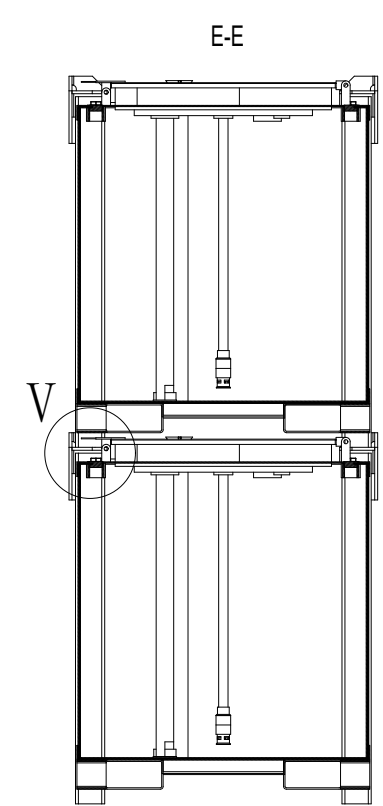
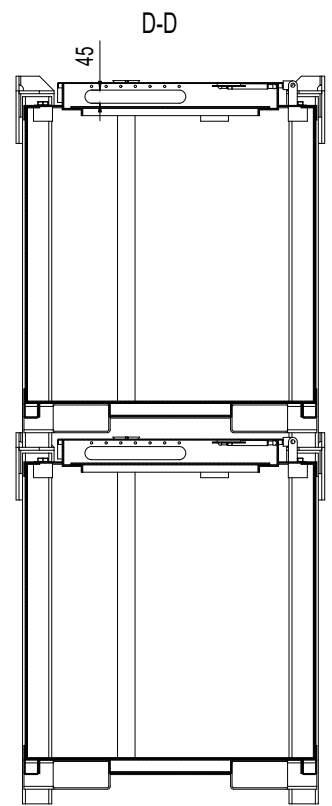
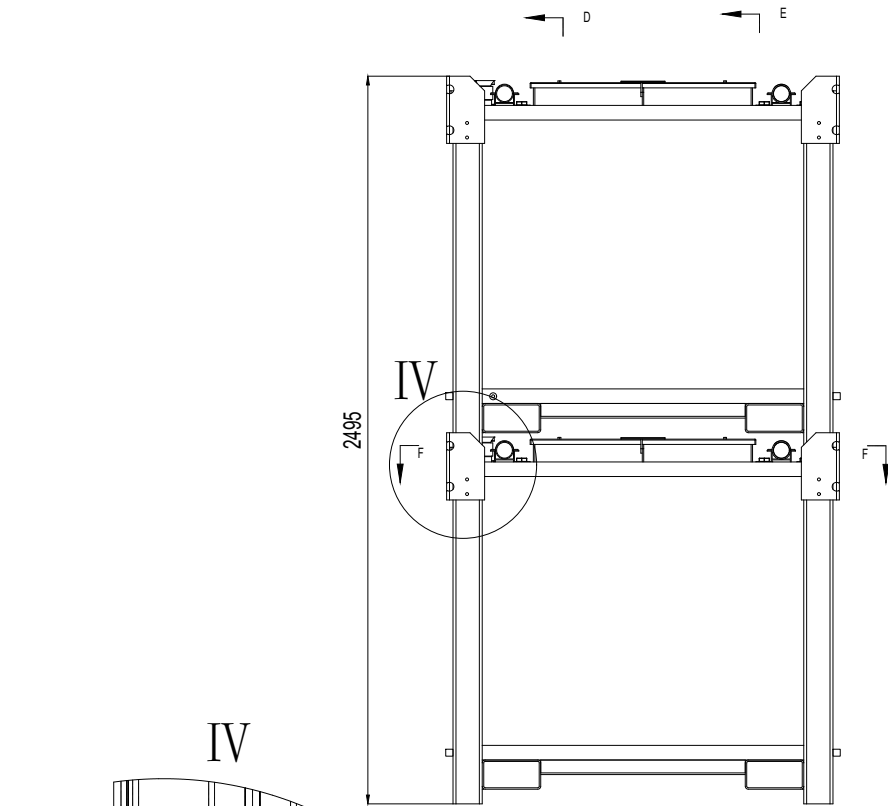



COPYRIGHT 2019 THE CONTENTS OF THIS DRAWING REMAINS THE PROPERTY OF SPS TANKS		TOLERANCES: ALL DIMENSIONS IN MM UNLESS STATED OTHERWISE, ALL TOLERANCES TO BE AS FOLLOWS: 0 0.00 ANG				TITLE: SPS ABOVE GROUND TANKS	
SIGN		DATE		MATERIAL		WEIGHT	
DESIGN		GUO 2024.4.10		Q235B		620 kgs	
CHECKED				REVISION		01	
VERIFIED				SHEET :		1	
APPROVED				TOTAL SHEET :		6	
				SCALE :		NTS	

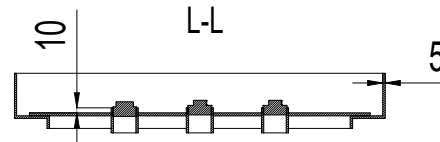
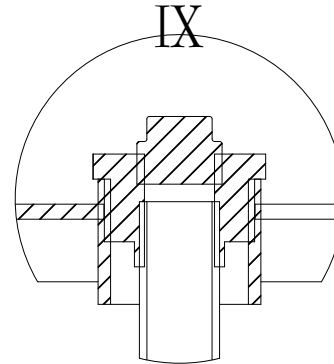
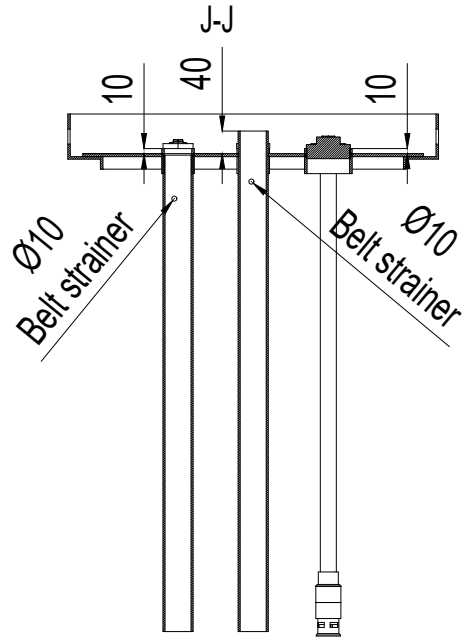
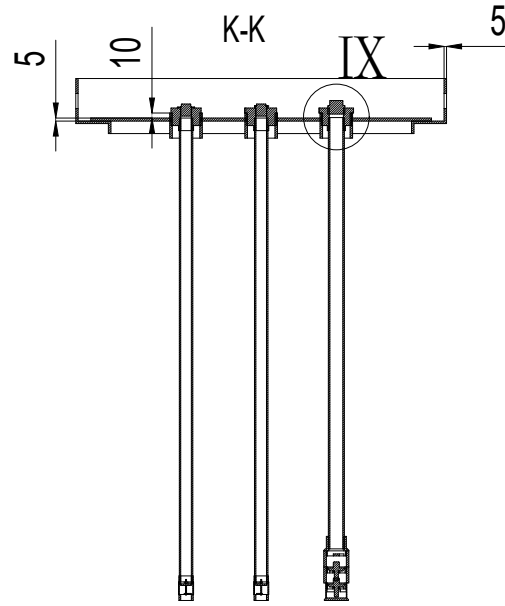
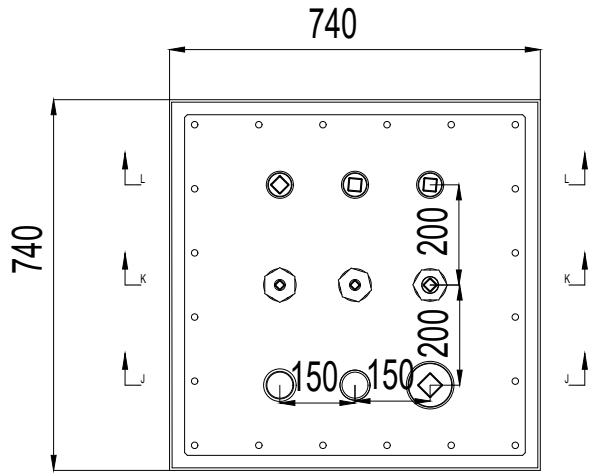
PART NO: T1 LAYOUT		
DWG. NO. SPS-T1-DR001	SHEET :	1
TOTAL SHEET :	6	
SCALE :	NTS	



COPYRIGHT 2019 THE CONTENTS OF THIS DRAWING REMAINS THE PROPERTY OF SPS TANKS	TOLERANCES - ALL DIMENSIONS IN MM UNLESS STATED OTHERWISE, ALL TOLERANCES TO BE AS FOLLOWS: 0				TITLE : SPS ABOVE GROUND TANKS	
	SIGN	DATE			MATERIAL	WEIGHT
DESIGN	CHECKED GUO	2024.4.10	Q235B	620 kgs	DWG. NO. SPS-T1-DR003	
VERIFIED				REVISION 01	SHEET : 3	TOTAL SHEET : 6
APPROVED					SCALE :	NTS



COPYRIGHT 2019 THE CONTENTS OF THIS DRAWING REMAINS THE PROPERTY OF SPS TANKS	TOLERANCES : ALL DIMENSIONS IN MM UNLESS STATED OTHERWISE, ALL TOLERANCES TO BE AS FOLLOWS :				TITLE : SPS ABOVE GROUND TANKS		
	0.0 0.00 ANG	SIGN DATE			MATERIAL WEIGHT	PART NO : T1 LAYOUT	
DESIGN CHECKED VERIFIED APPROVED	GUO 2024.4.10	Q235B 620 kgs	DWG. NO. SPS-T1-DR004	SHEET : 4 TOTAL SHEET : 6 SCALE : NTS			



COPYRIGHT 2019
THE CONTENTS OF THIS
DRAWING REMAINS THE
PROPERTY OF SPS TANKS

TOLERANCES:
ALL DIMENSIONS IN MM
UNLESS STATED OTHERWISE,
ALL TOLERANCES TO BE AS
FOLLOWS: 0
0.0
0.00
ANG



TITLE : SPS ABOVE GROUND TANKS

PART NO : T1 LAYOUT

	SIGN	DATE
DESIGN		
CHECKED	GUO	2024.4.10
VERIFIED		
APPROVED		

MATERIAL	WEIGHT
Q235B	620 kgs
REVISION	01

DWG. NO. SPS-T1-DR006	SHEET : 6	TOTAL SHEET : 6	SCALE : NTS
-----------------------	-----------	-----------------	-------------