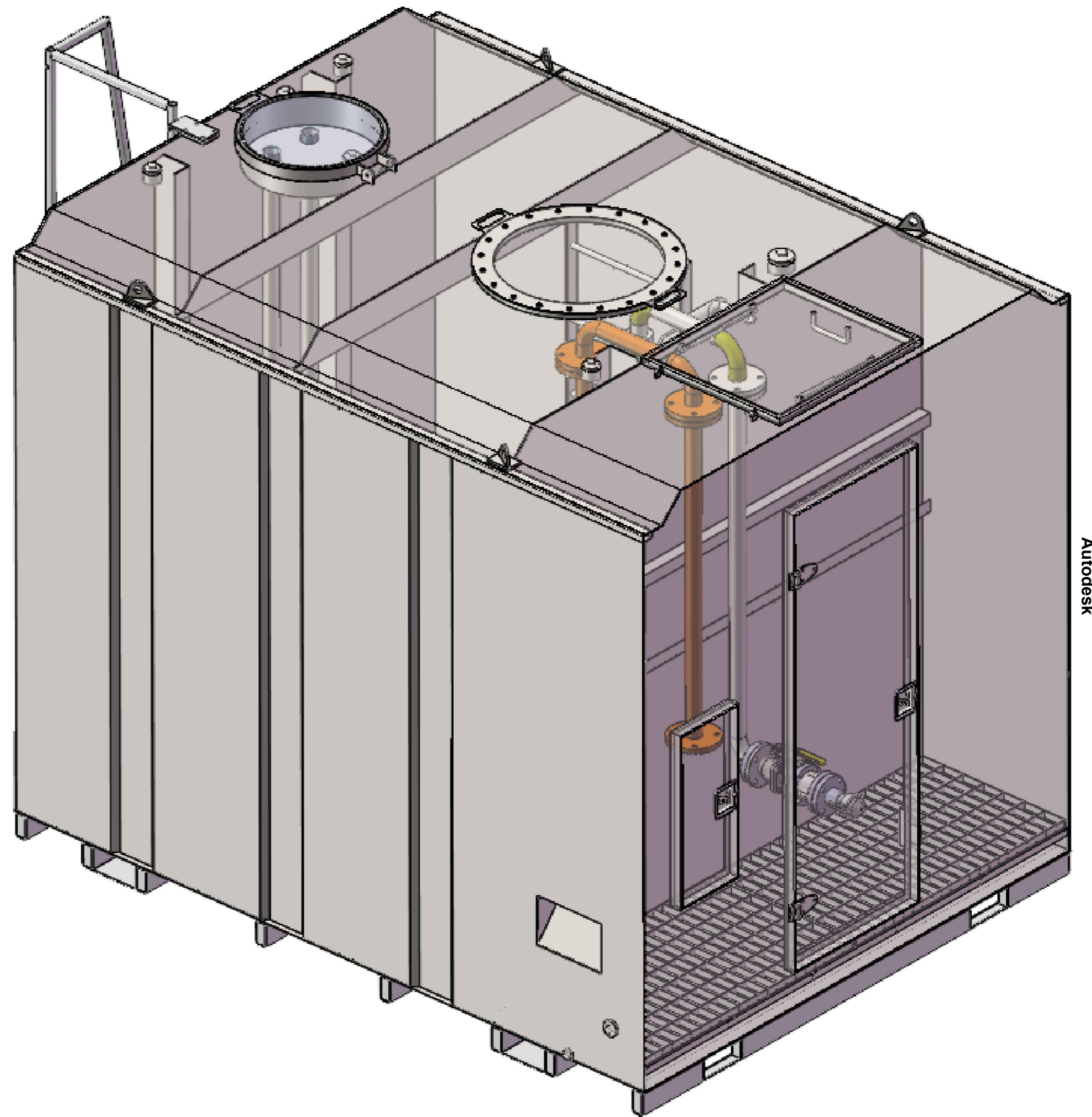
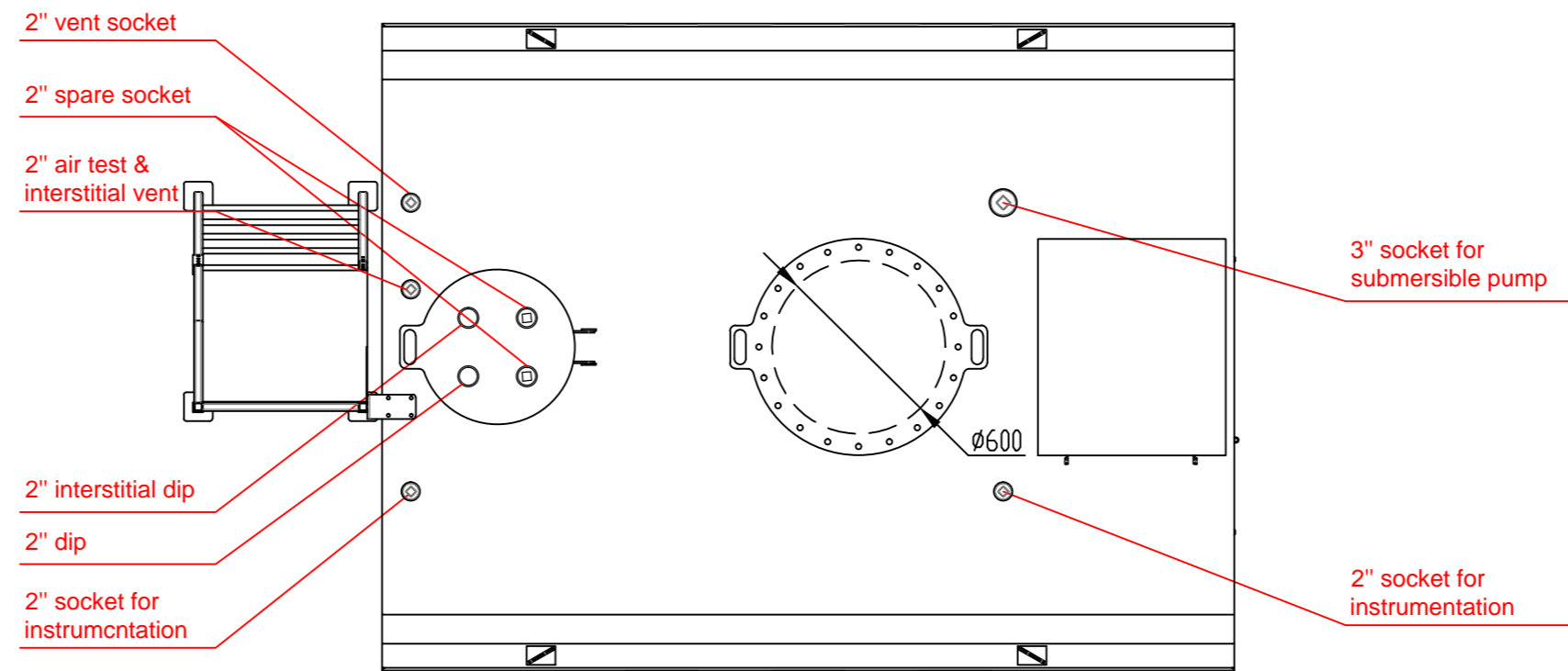
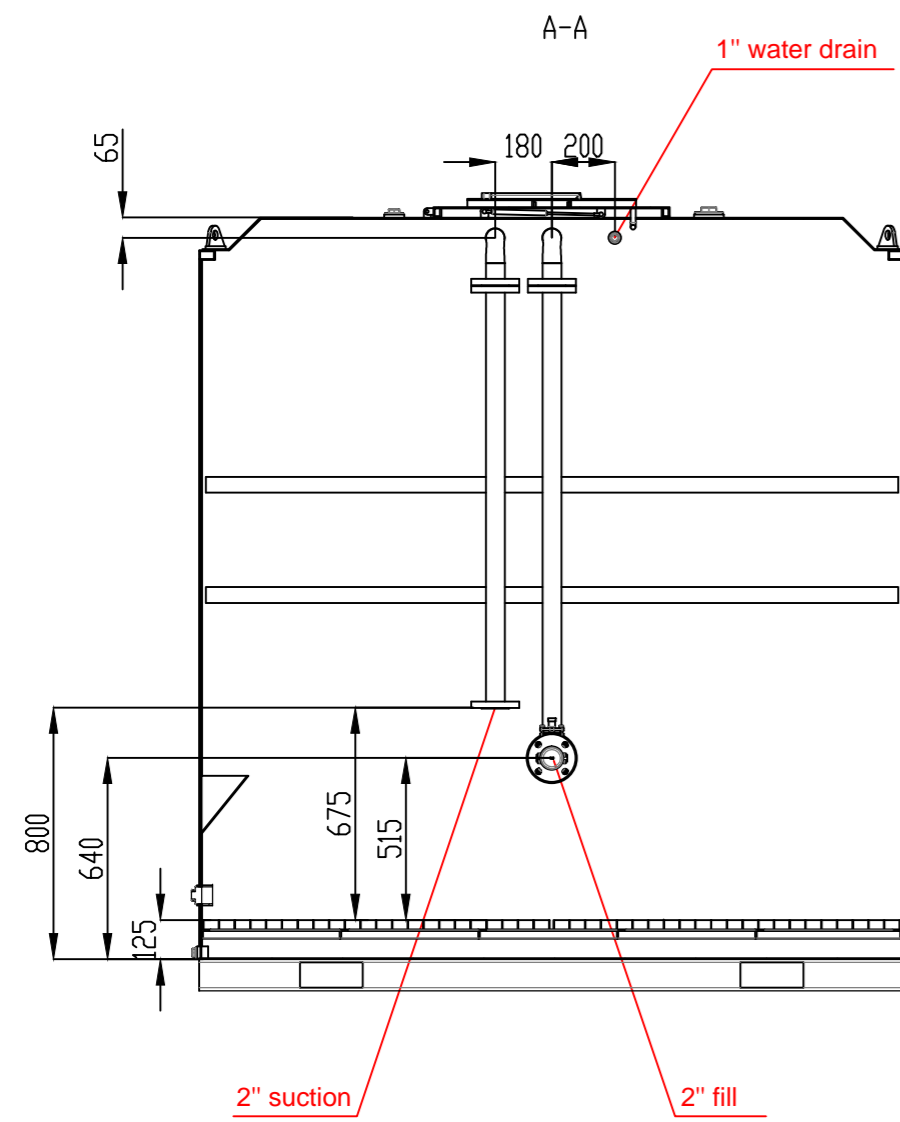
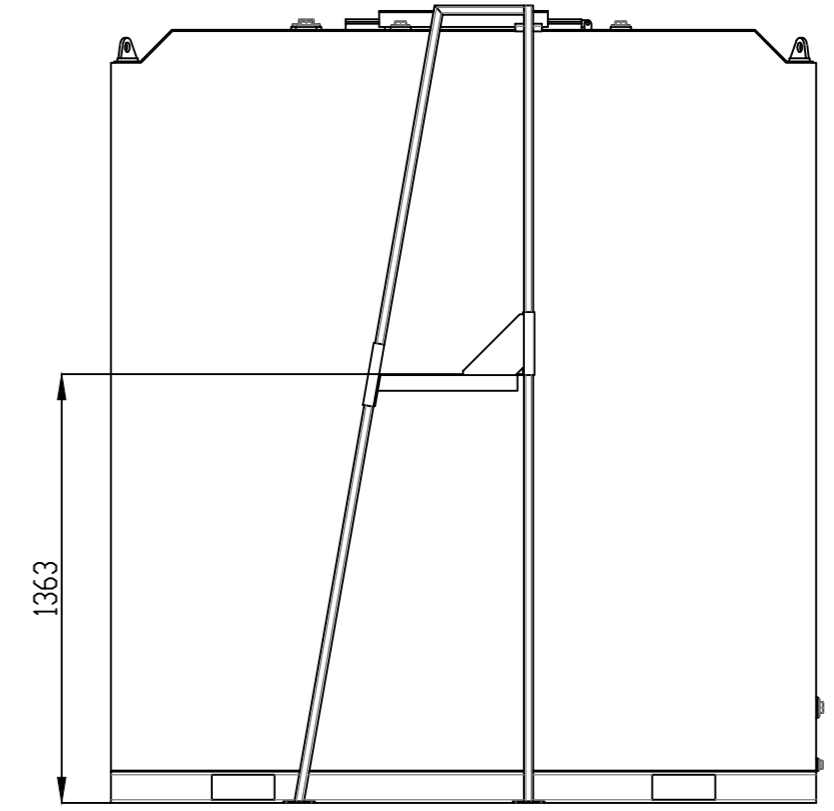
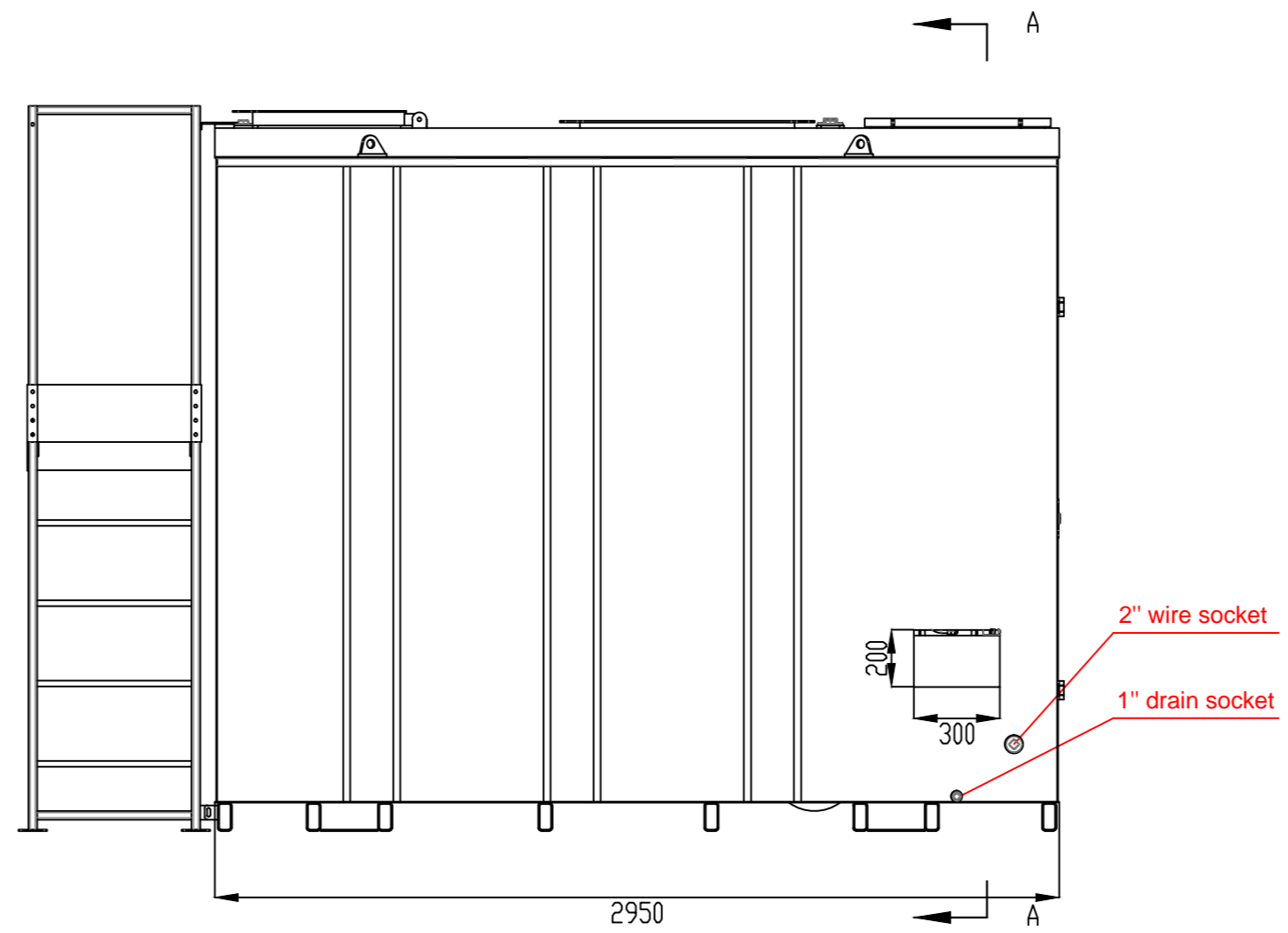
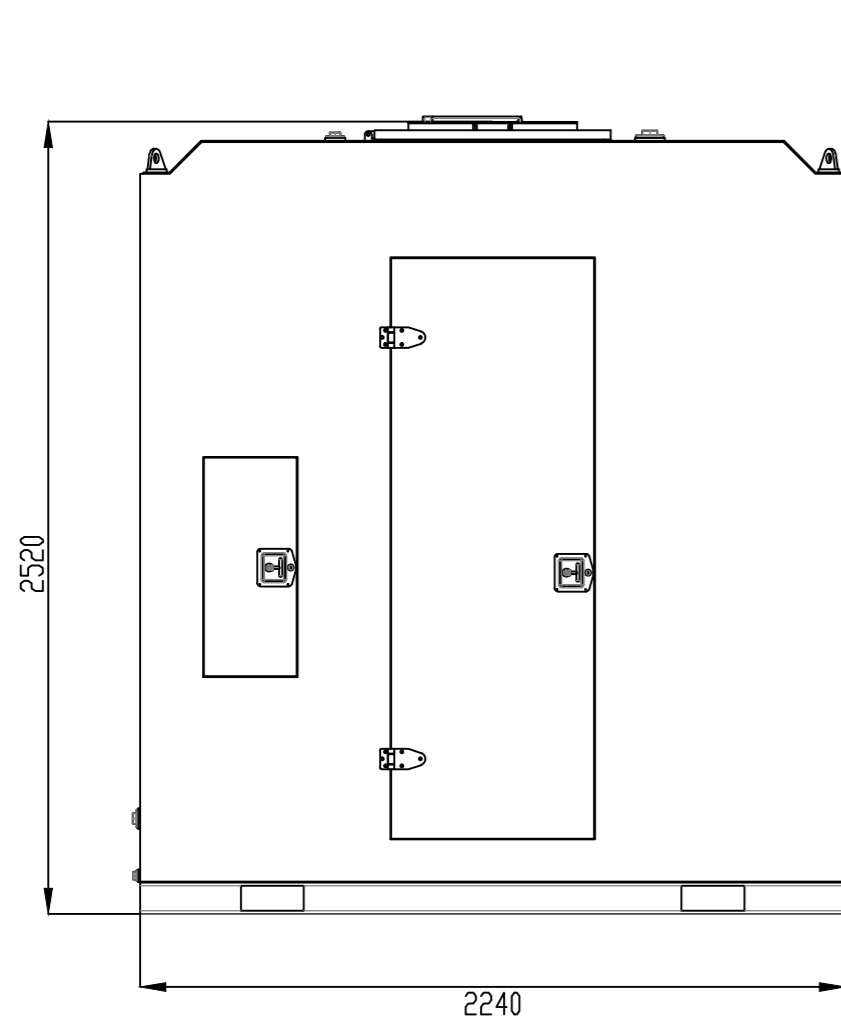


Autodesk



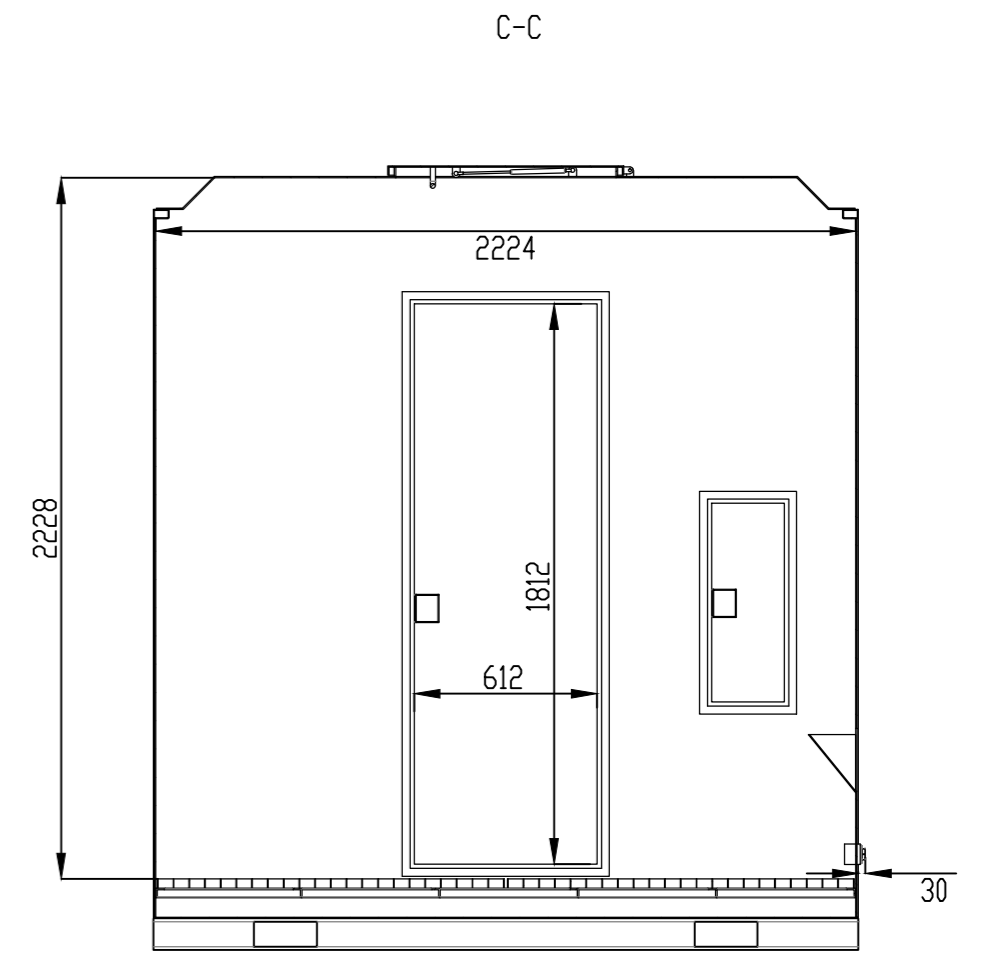
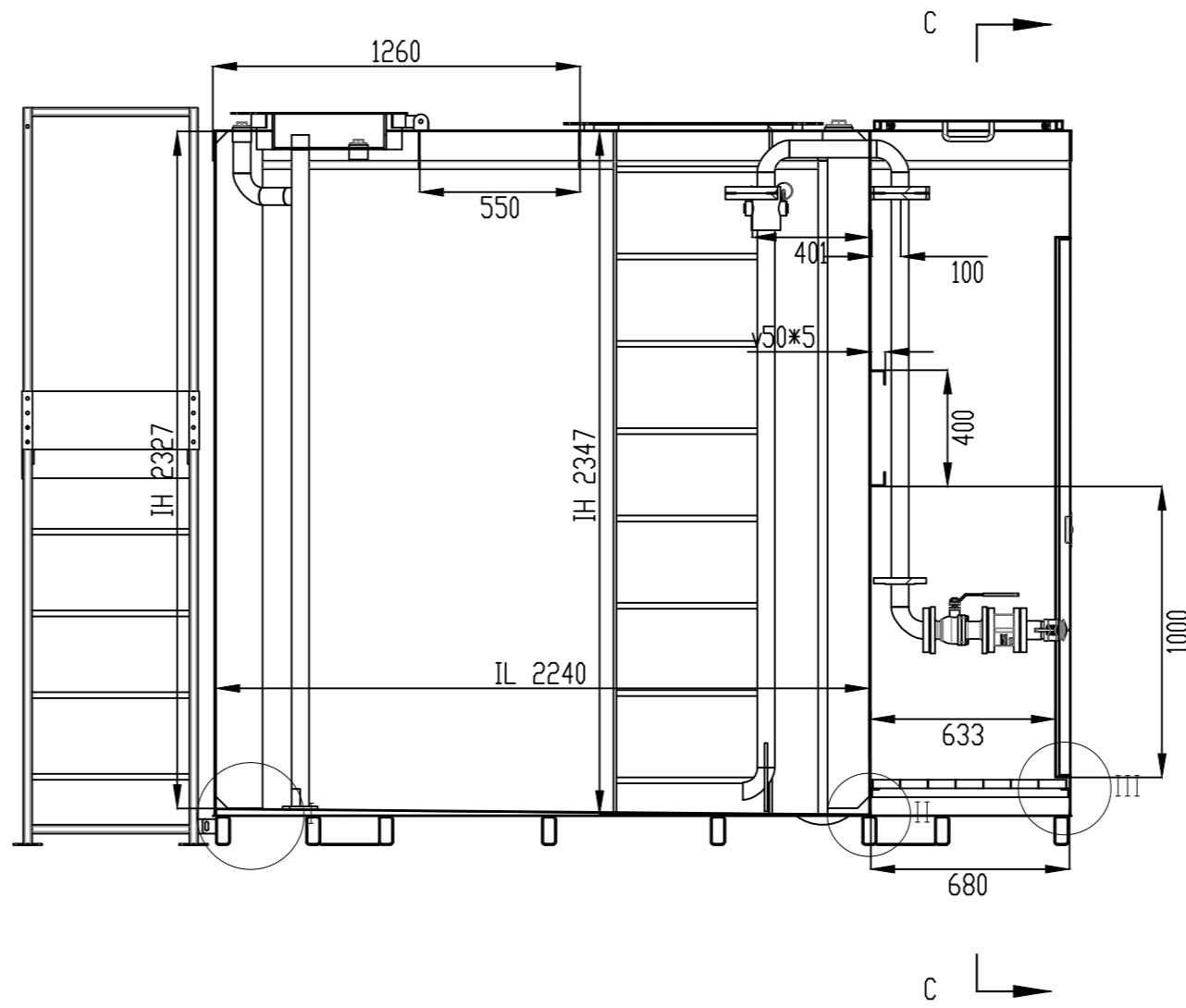
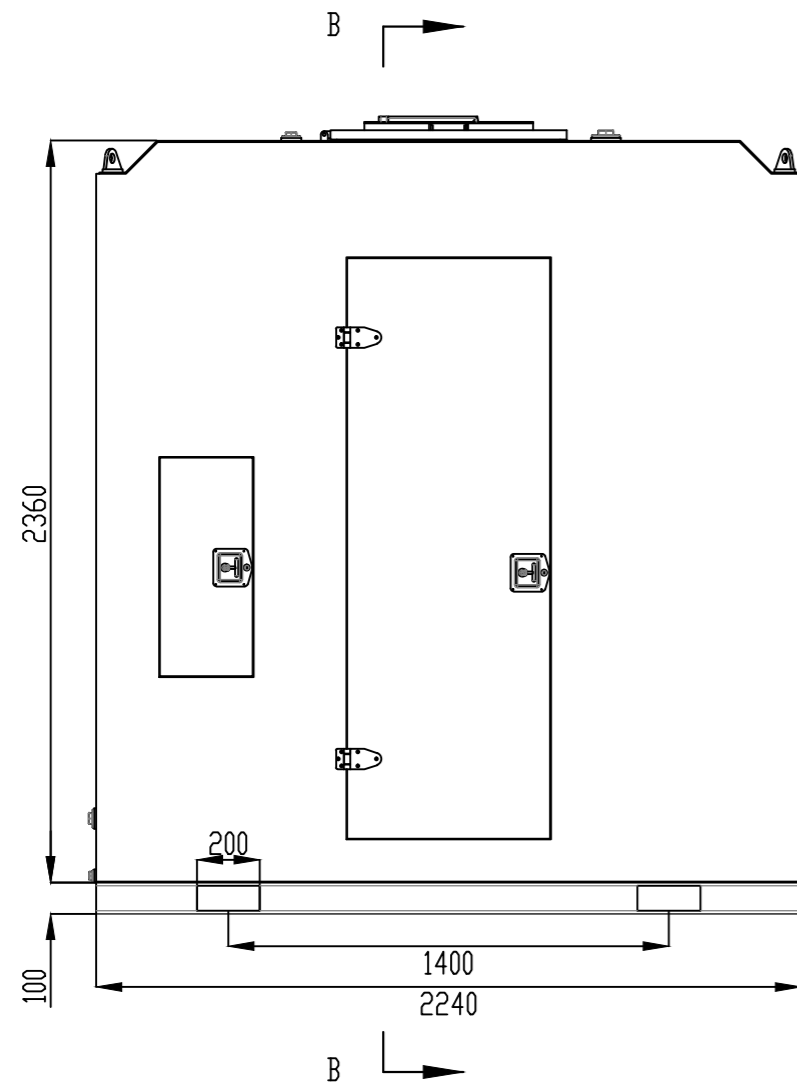
Autodesk

<p>TOLERANCES : ALL DIMENSIONS IN MM UNLESS STATED OTHERWISE, ALL TOLERANCES TO BE AS FOLLOWS:</p> <p>0 0.00 ANG</p>				<p>TITLE : ABOVE GROUND TANKS</p>																					
<table border="1"> <thead> <tr> <th>DESIGN</th> <th>SIGN</th> <th>DATE</th> <th>MATERIAL</th> <th>WEIGHT</th> </tr> </thead> <tbody> <tr> <td>CHECKED</td> <td></td> <td>2019.8.25</td> <td>Q235B</td> <td>3,075 kgs</td> </tr> <tr> <td>VERIFIED</td> <td></td> <td></td> <td></td> <td></td> </tr> <tr> <td>APPROVED</td> <td></td> <td></td> <td></td> <td></td> </tr> </tbody> </table>		DESIGN	SIGN	DATE	MATERIAL	WEIGHT	CHECKED		2019.8.25	Q235B	3,075 kgs	VERIFIED					APPROVED					<p>PART NO : FS10 LAYOUT</p>		<p>DWG. NO.</p>	
DESIGN	SIGN	DATE	MATERIAL	WEIGHT																					
CHECKED		2019.8.25	Q235B	3,075 kgs																					
VERIFIED																									
APPROVED																									
		<p>REVISION 01</p>		<p>SHEET : 1 TOTAL SHEET : 4 SCALE : NTS</p>																					

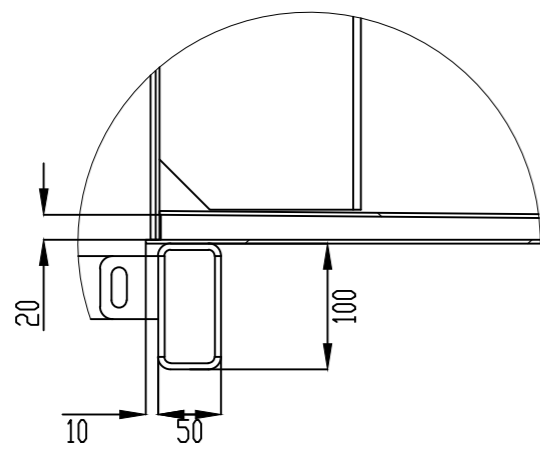


TANK DATA	
CONTENT	Diesel
EXTERNAL SIZE	2950 x 2240 x 2520 mm
INTERNAL SIZE	2240 x 2172 x 2347 mm
GROSS VOLUME	11,000 litres
SAFEFILL LEVEL	10,000 litres

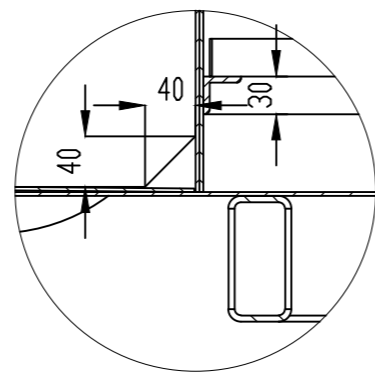
TOLERANCES : ALL DIMENSIONS IN MM UNLESS STATED OTHERWISE, ALL TOLERANCES TO BE AS FOLLOWS: 0.0 : 0.00 : ANG :		ABLE POWER		TITLE : ABOVE GROUND TANKS	
DESIGN	SIGN	DATE	MATERIAL	WEIGHT	PART NO :
CHECKED		2019.8.25	Q235B	3,075 kgs	DWG. NO.
VERIFIED					
APPROVED			REVISION 01		SHEET : 2 TOTAL SHEET : 4 SCALE : NTS



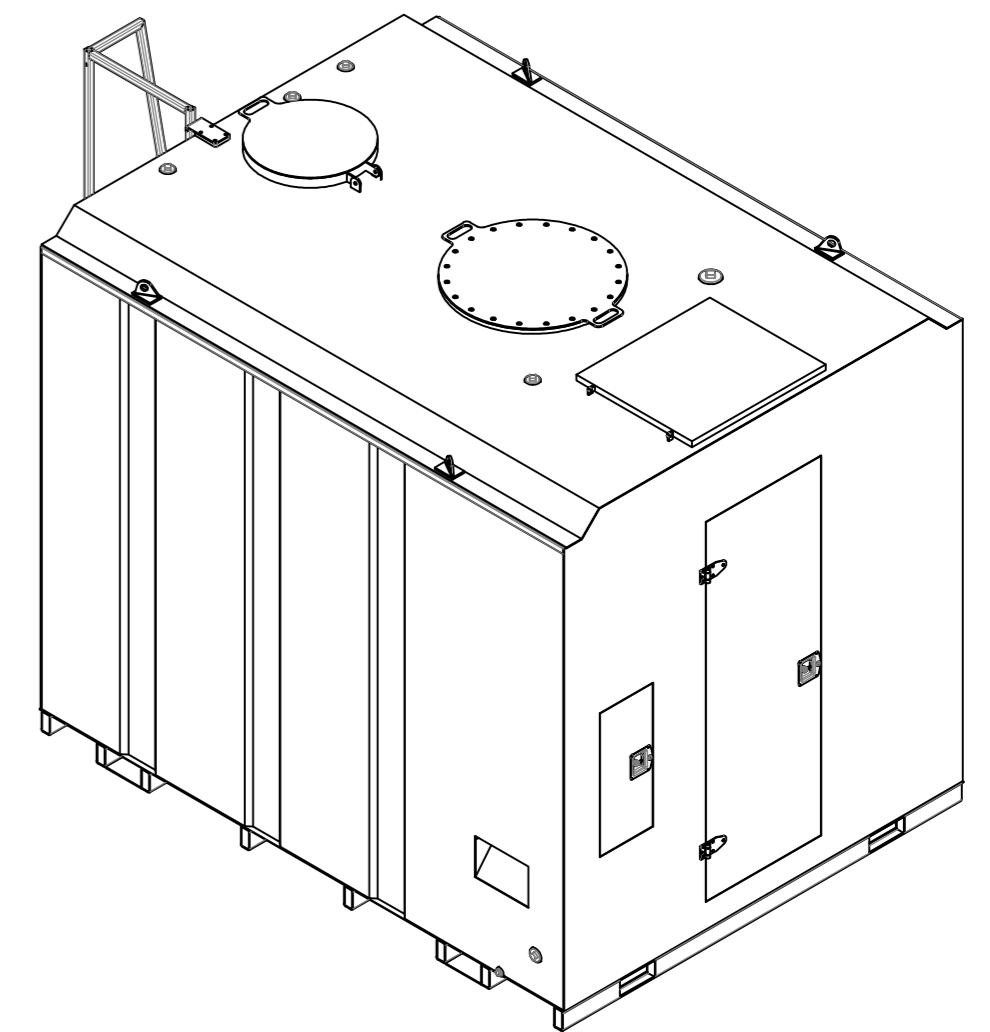
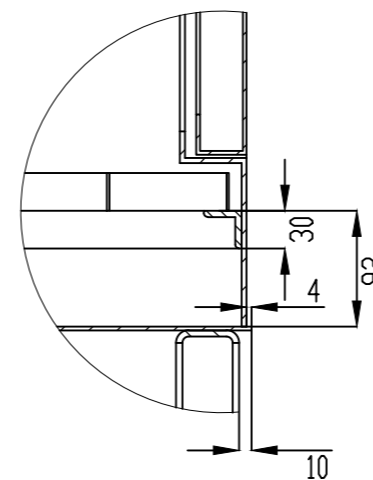
I
1 : 10



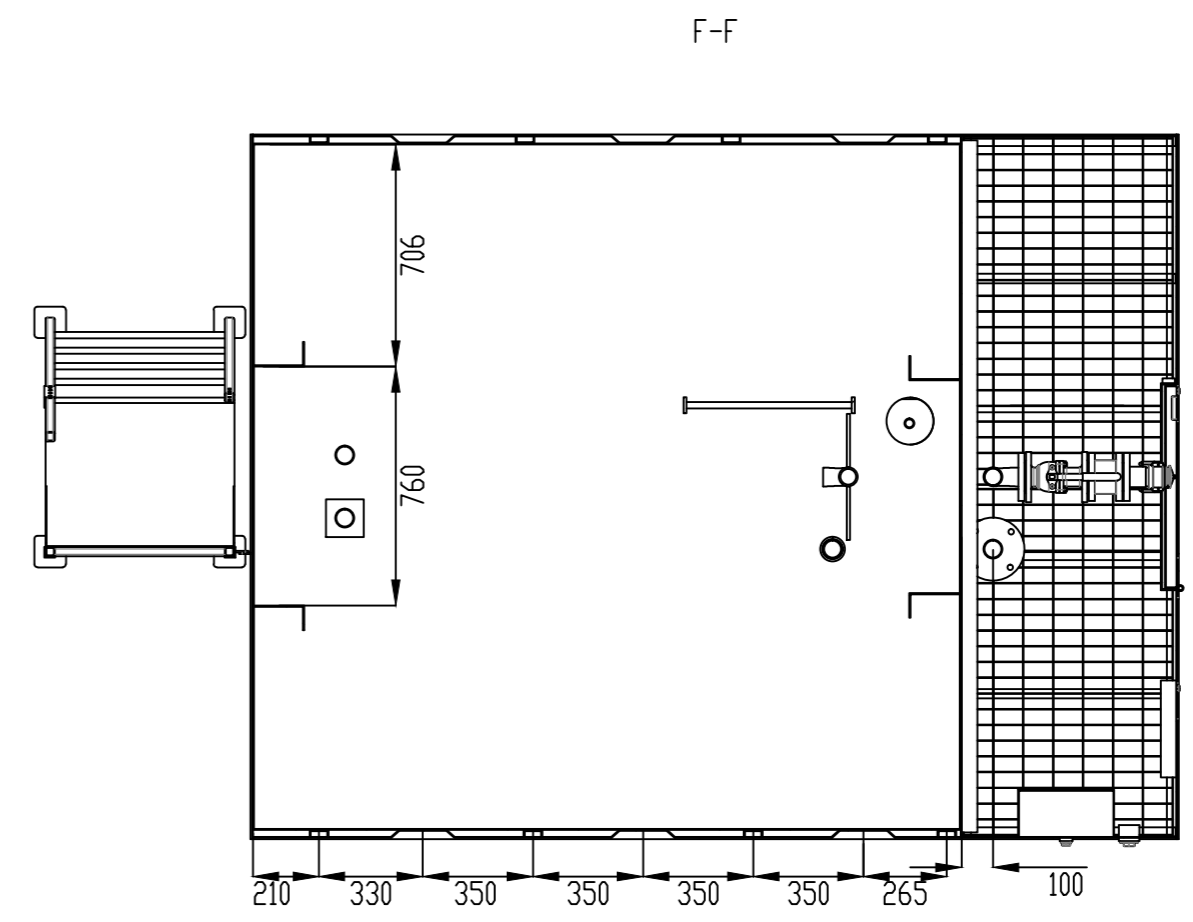
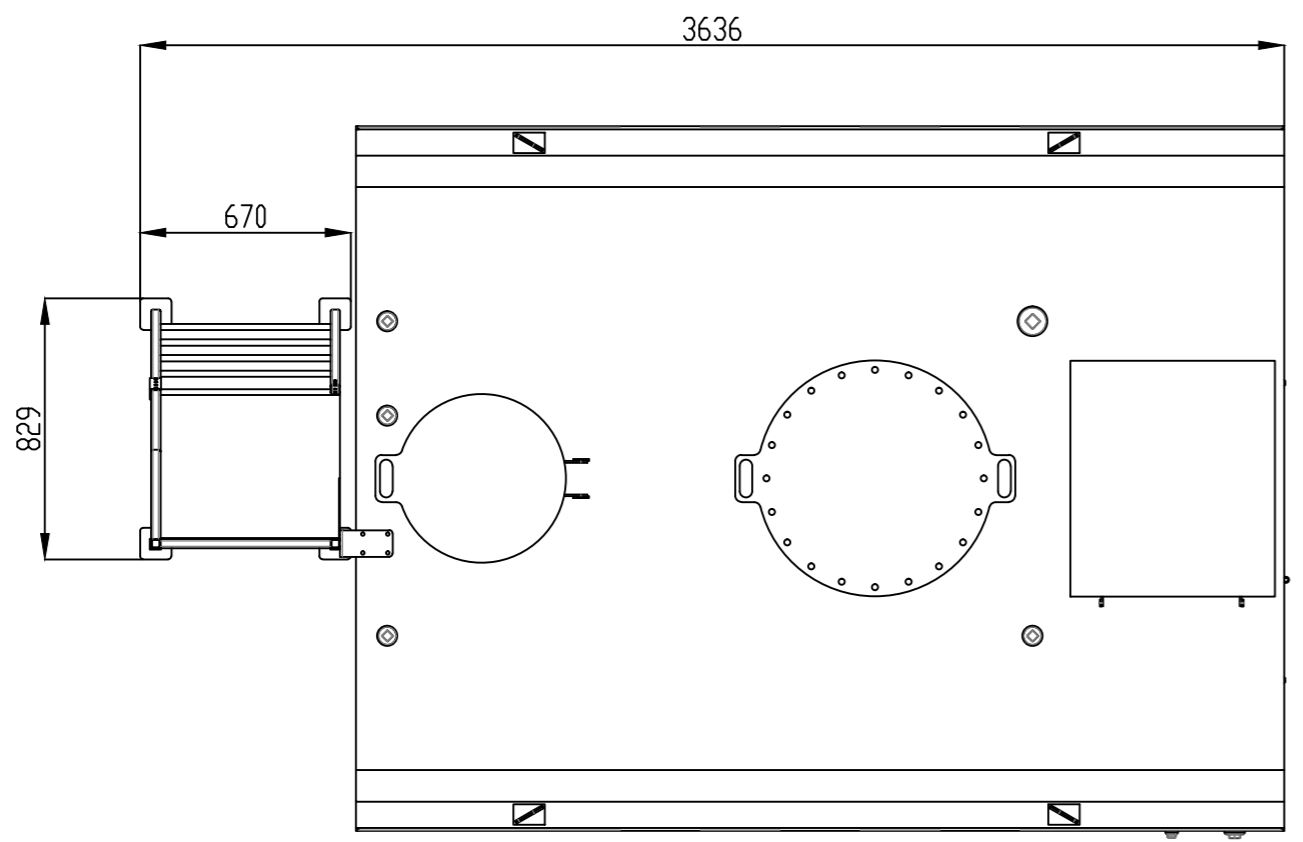
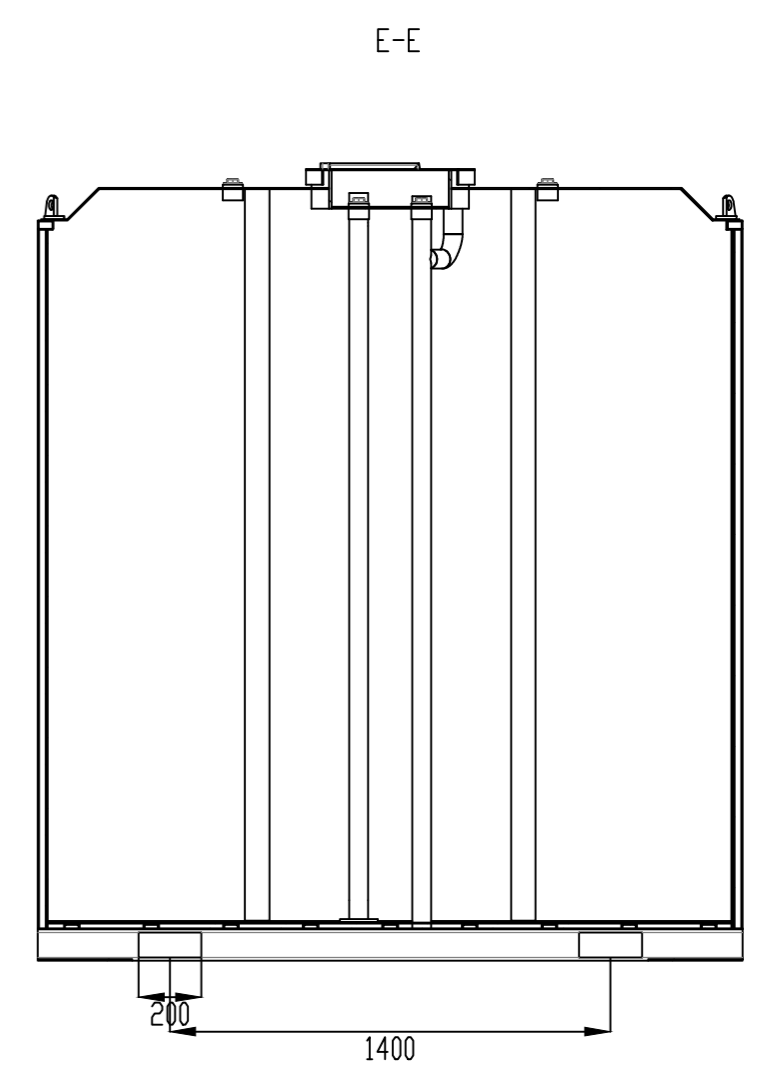
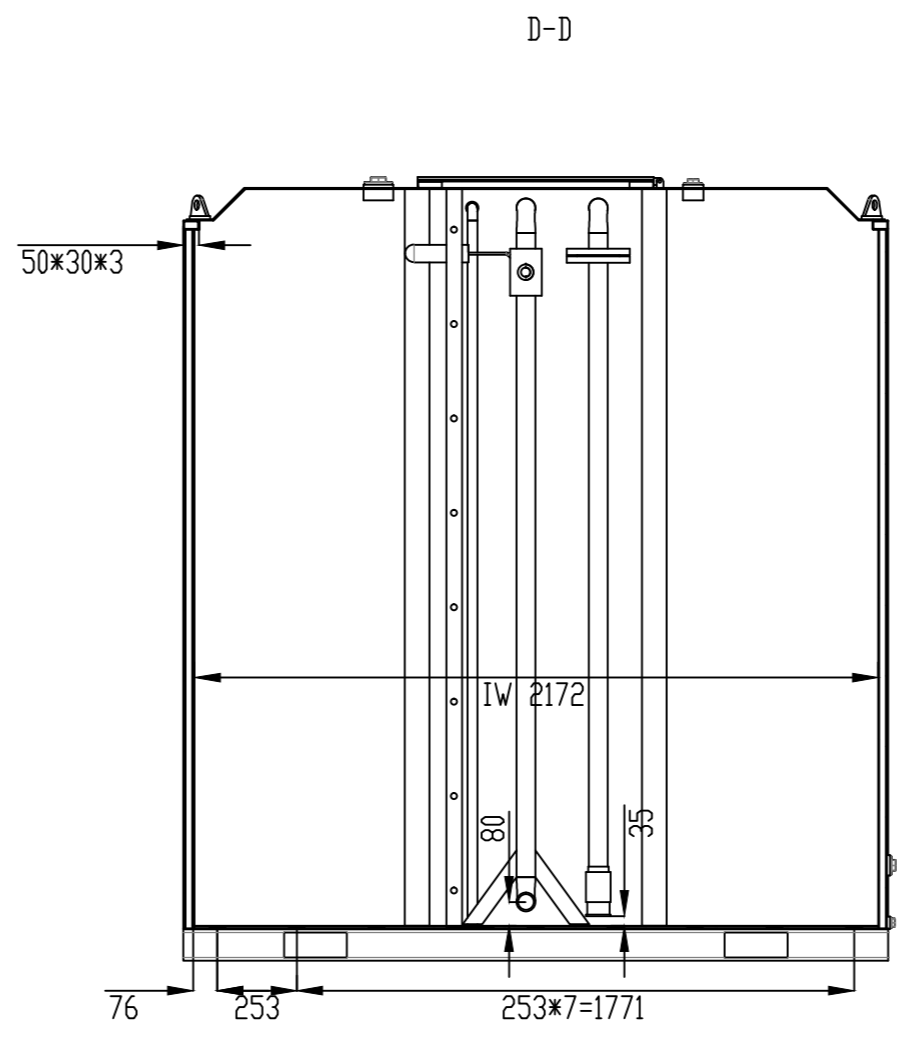
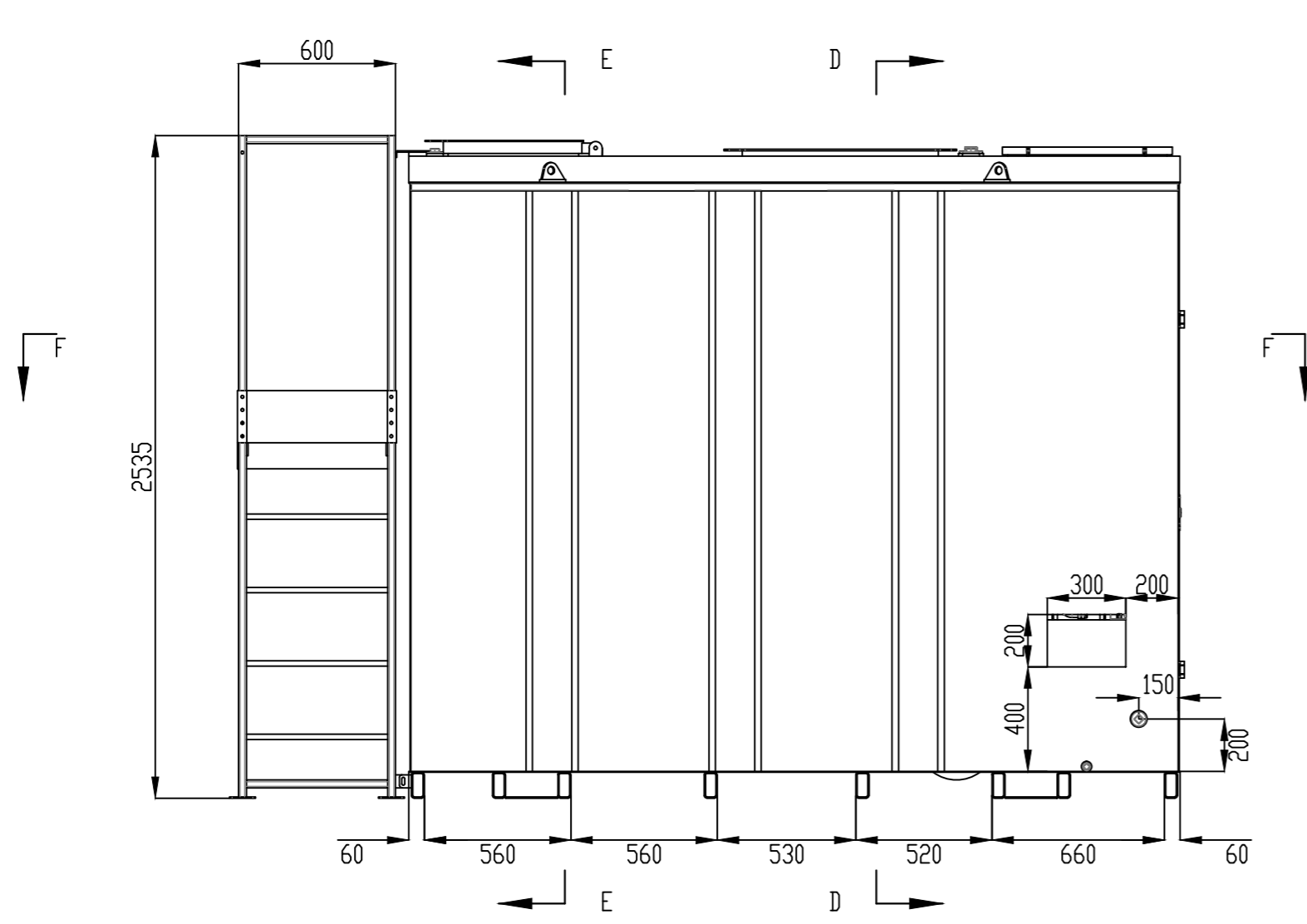
II
1 : 10



III
1 : 10



TOLERANCES : ALL DIMENSIONS IN MM UNLESS STATED OTHERWISE, ALL TOLERANCES TO BE AS FOLLOWS : 0 : 0.00 : ANG :		ABLE POWER		TITLE : ABOVE GROUND TANKS	
				PART NO : FS10 LAYOUT	
DESIGN	SIGN	DATE	MATERIAL	WEIGHT	DWG. NO.
CHECKED		2019.8.25	Q235B	3,075 kgs	
VERIFIED					
APPROVED			REVISION 01		SHEET : 3 TOTAL SHEET : 4 SCALE : NTS



Autodesk

Autodesk

Autodesk

<p>TOLERANCES : ALL DIMENSIONS IN MM UNLESS STATED OTHERWISE, ALL TOLERANCES TO BE AS FOLLOWS :</p> <p>0 : 0.00 : ANG :</p>		<p>ABLE POWER</p>		<p>TITLE : ABOVE GROUND TANKS</p>	
<p>DESIGN</p>		<p>MATERIAL</p>		<p>PART NO : FS10 LAYOUT</p>	
<p>CHECKED</p>		<p>WEIGHT</p>		<p>DWG. NO.</p>	
<p>VERIFIED</p>		<p>3,075 kgs</p>		<p>SHEET : 4</p>	
<p>APPROVED</p>		<p>REVISION 01</p>		<p>TOTAL SHEET : 4</p>	
				<p>SCALE : NTS</p>	