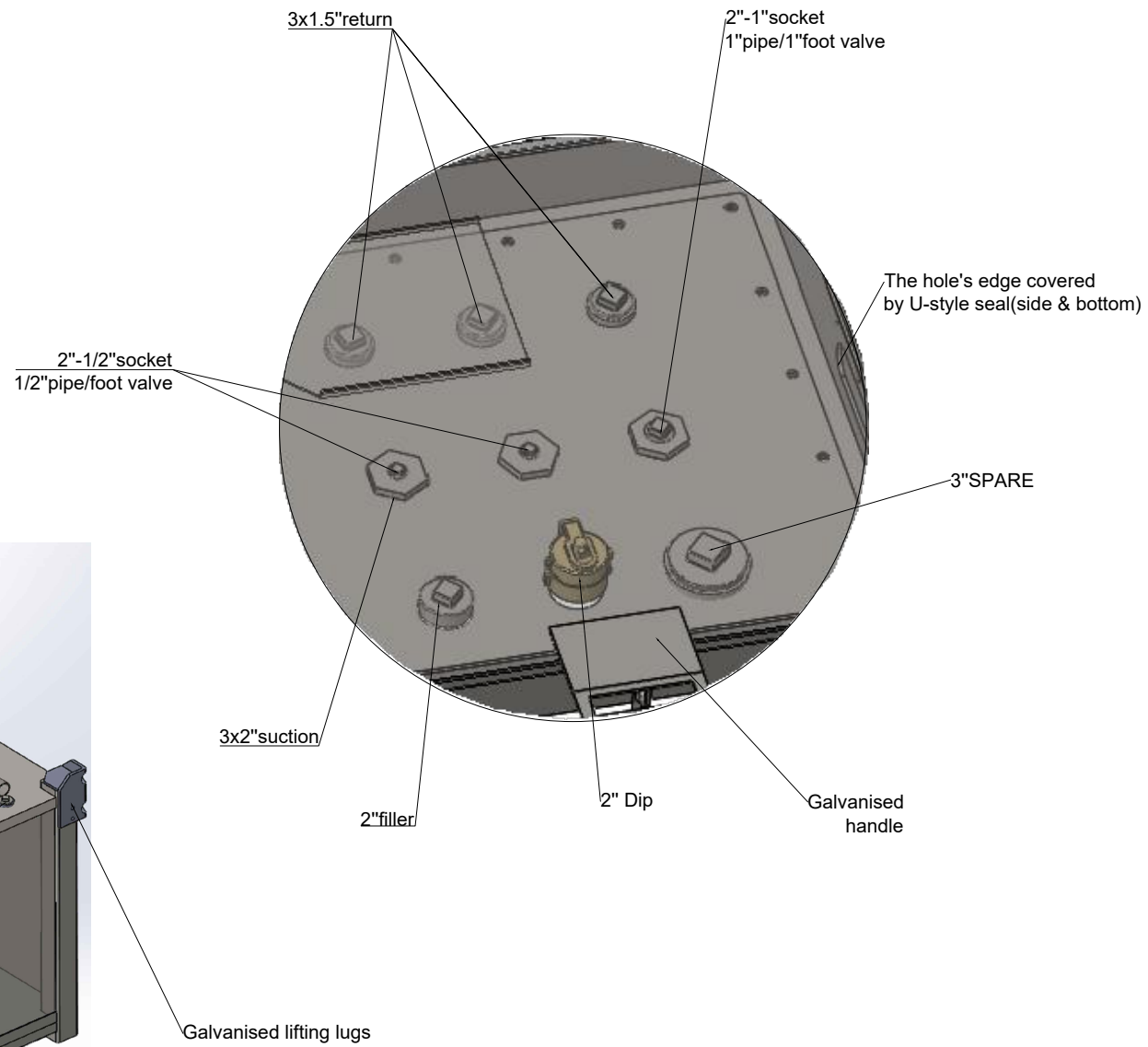
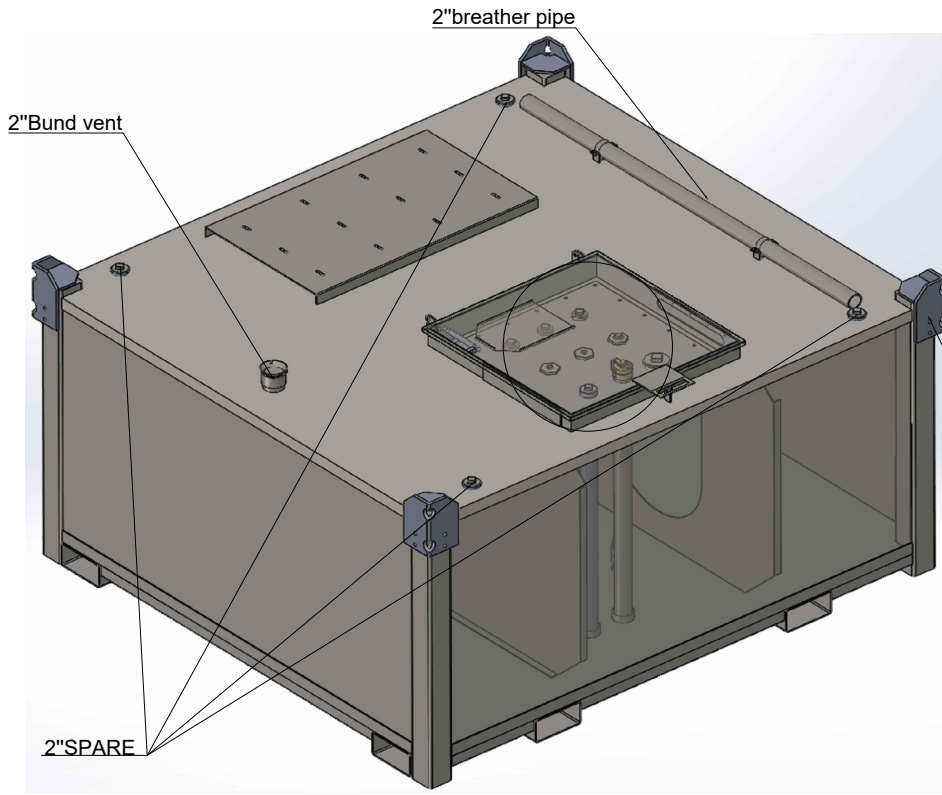
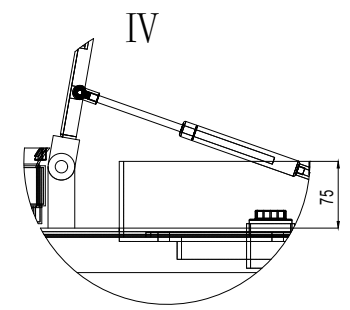
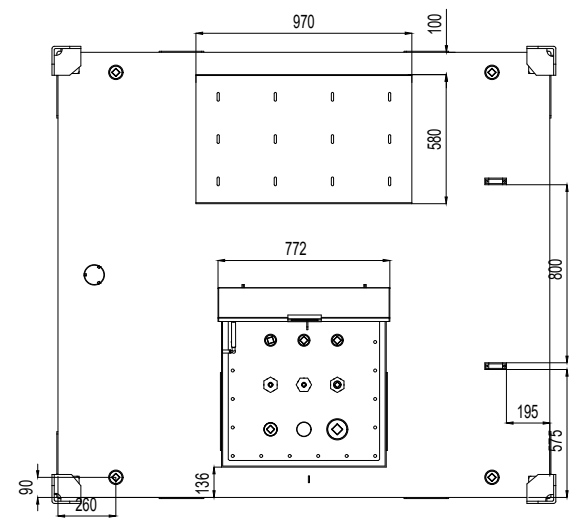
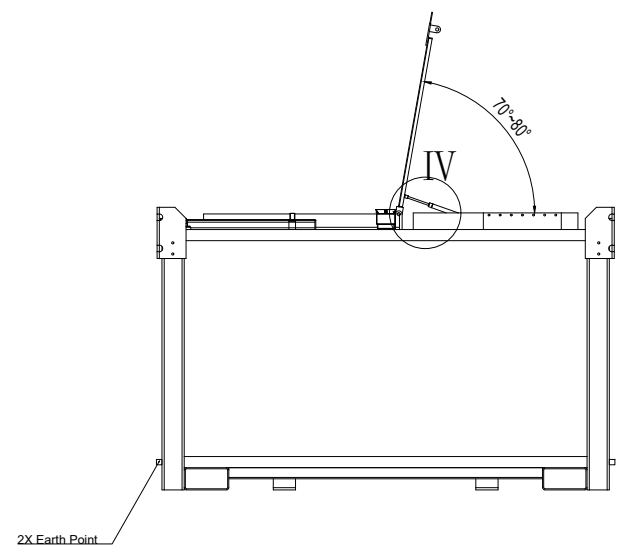
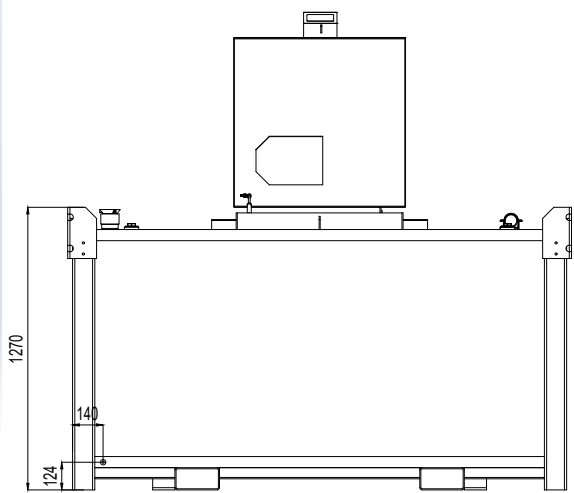
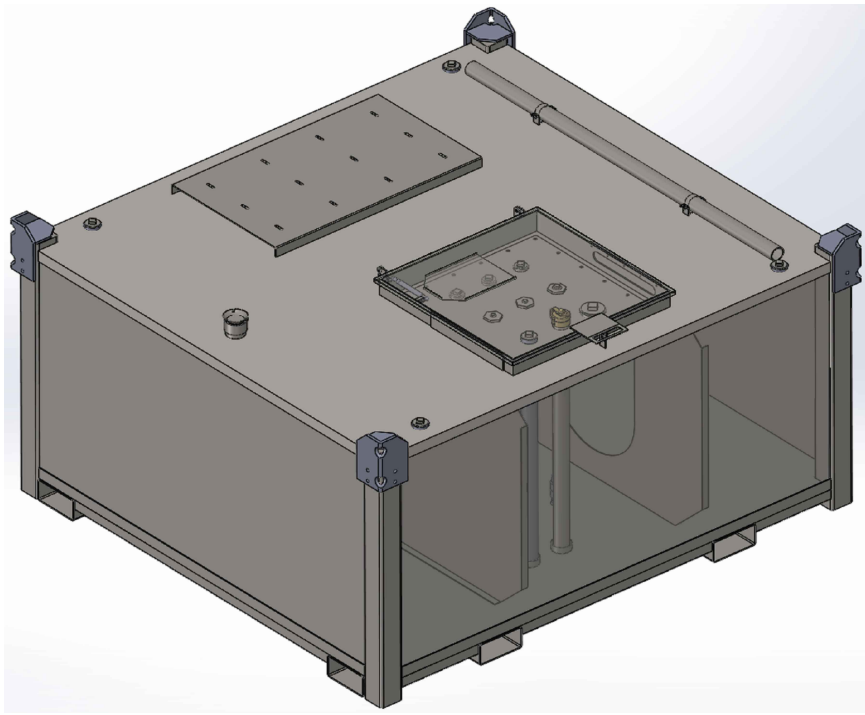


Tank

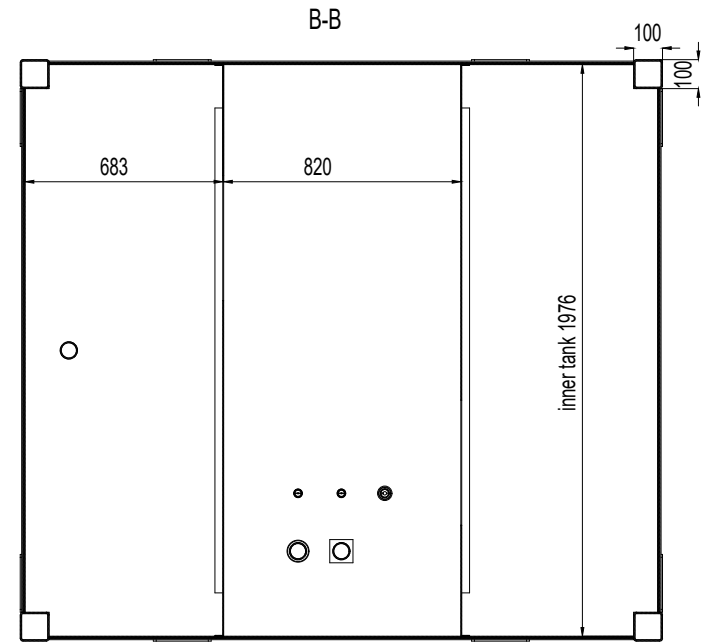
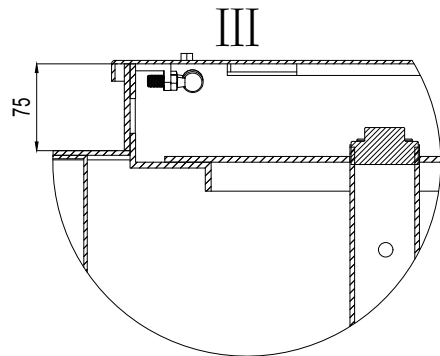
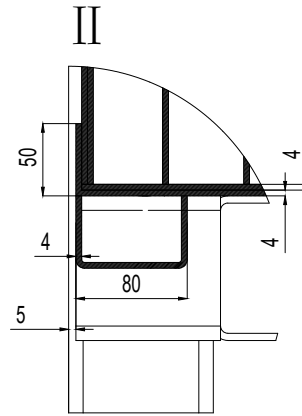
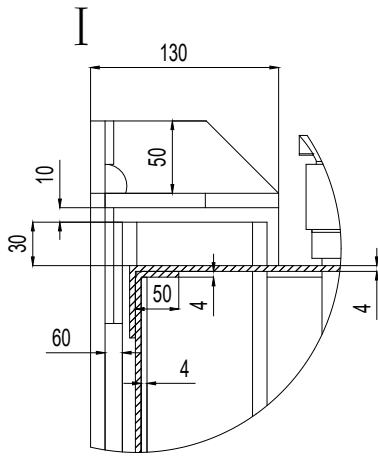
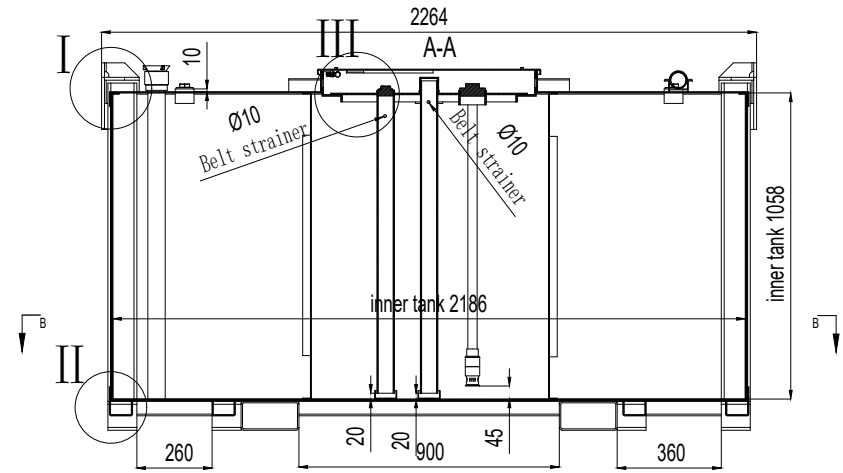
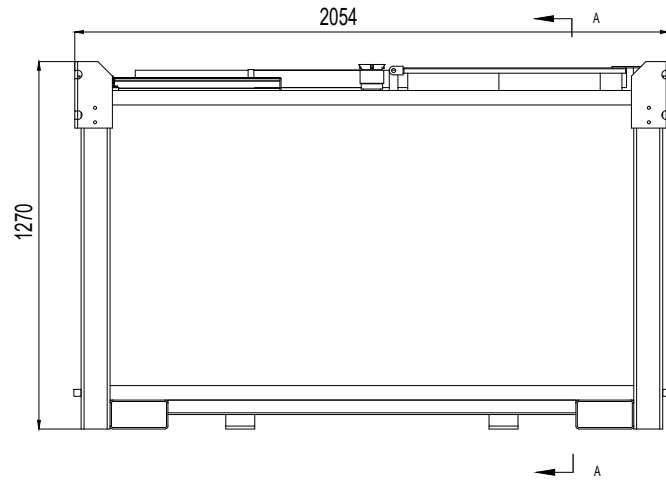
TANK CONTENTS	DIESEL
DESIGNED TO	AS1940/AS1692
BUILT TO	AS1657/AS1554.1
PLATE THICKNESS,Material	4/4mm, Q235B
pressue Test	35KPA
External size	2294x2084x1270mm
Internal size	2186x1976x1058mm
GROSS VOLUME	4500L
SAFE FILL LEVEL	4000L
N.D.T	Require By Client
TOTAL MASS	1288.8KG



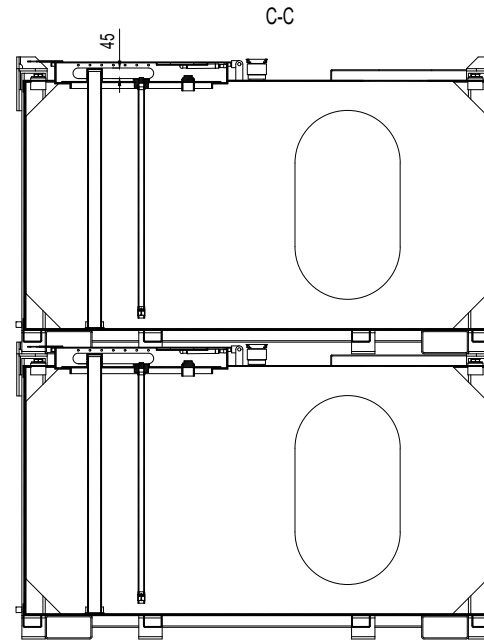
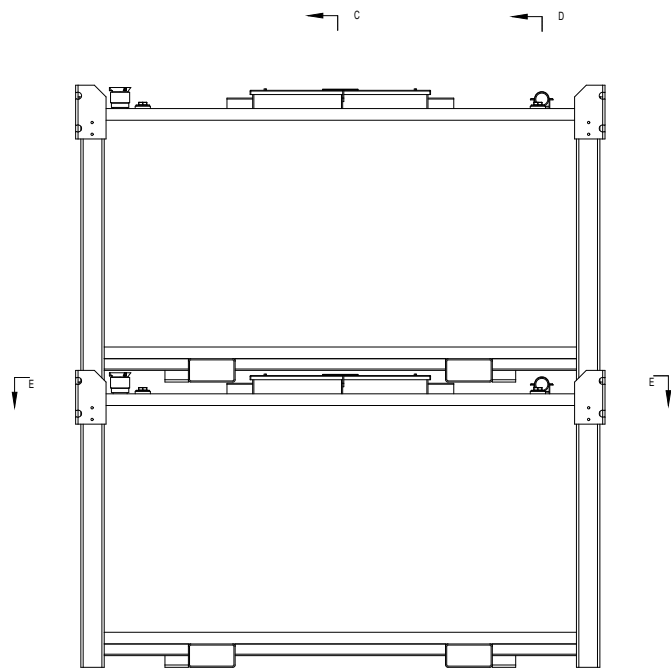
TOLERANCES: ALL DIMENSIONS IN MM UNLESS STATED OTHERWISE, ALL TOLERANCES TO BE AS FOLLOWS: 0 0.0 0.00 ANG		ABLE POWER		TITLE: ABLE ABOVE GROUND TANKS	
DESIGN	SIGN	DATE	MATERIAL	WEIGHT	PART NO: T4 LAYOUT
CHECKED			Q235B	1288.8 kgs	DWG. NO.
VERIFIED					
APPROVED					
			REVISION 01	SHEET : 1	TOTAL SHEET : 6
				SCALE : NTS	



TOLERANCES: ALL DIMENSIONS IN MM UNLESS STATED OTHERWISE, ALL TOLERANCES TO BE AS FOLLOWS: 0 0.0 0.00 ANG				TITLE: ABLE ABOVE GROUND TANKS	
DESIGN	SIGN			DATE	PART NO: T4 LAYOUT
CHECKED			MATERIAL	WEIGHT	DWG. NO.
VERIFIED			Q235B	1288.8 kgs	
APPROVED			REVISION	01	SHEET : 2
					TOTAL SHEET : 6
					SCALE : NTS



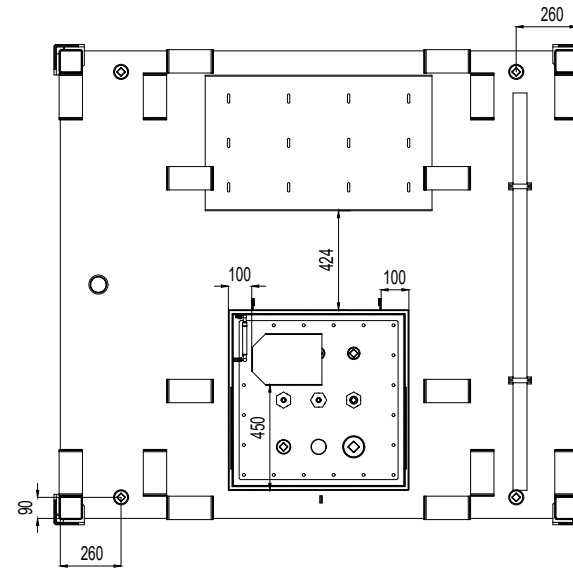
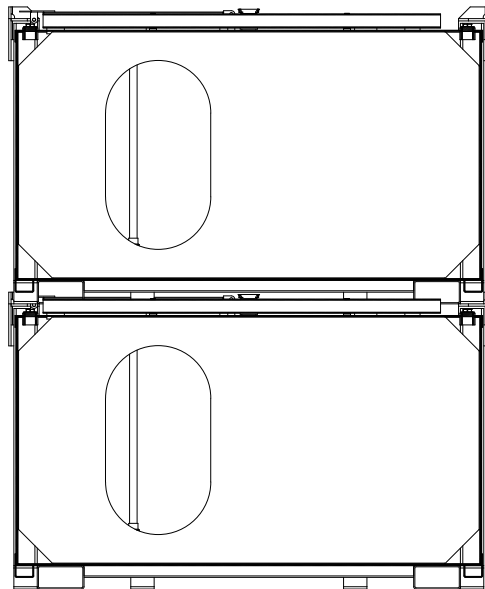
TOLERANCES - ALL DIMENSIONS IN MM UNLESS STATED OTHERWISE. ALL TOLERANCES TO BE AS FOLLOWS: 0.0 ; 0.00 ; ANG				TITLE : ABLE ABOVE GROUND TANKS	
SIGN DATE				PART NO : T4 LAYOUT	
DESIGN		MATERIAL	WEIGHT	DWG. NO.	
CHECKED		Q235B	1288.8 kgs		
VERIFIED			REVISION	01	SHEET : 3
APPROVED			TOTAL SHEET : 6	SCALE : NTS	



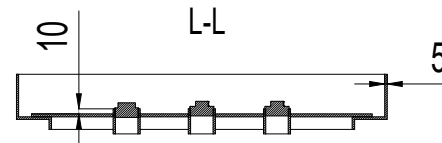
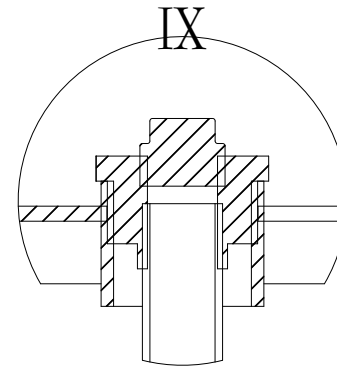
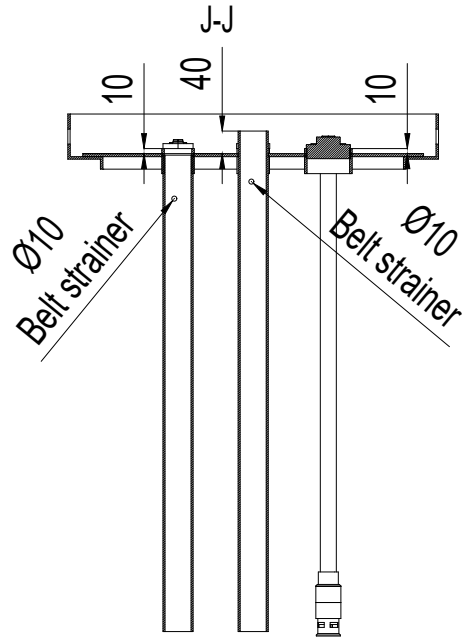
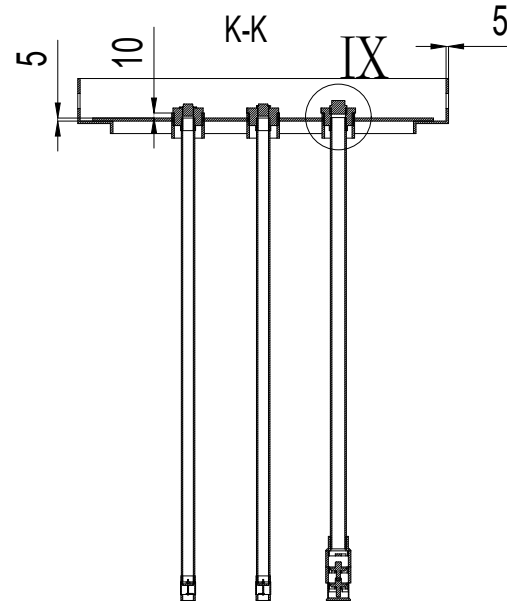
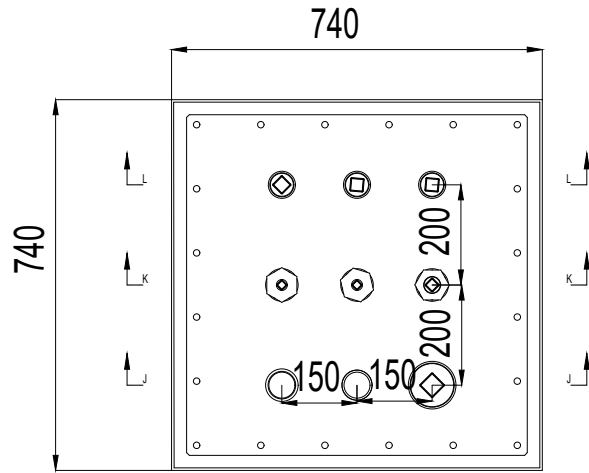
← C ← D


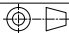
E-E

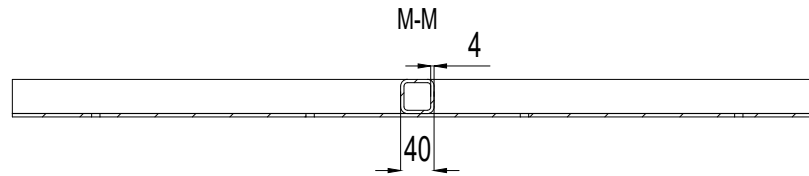
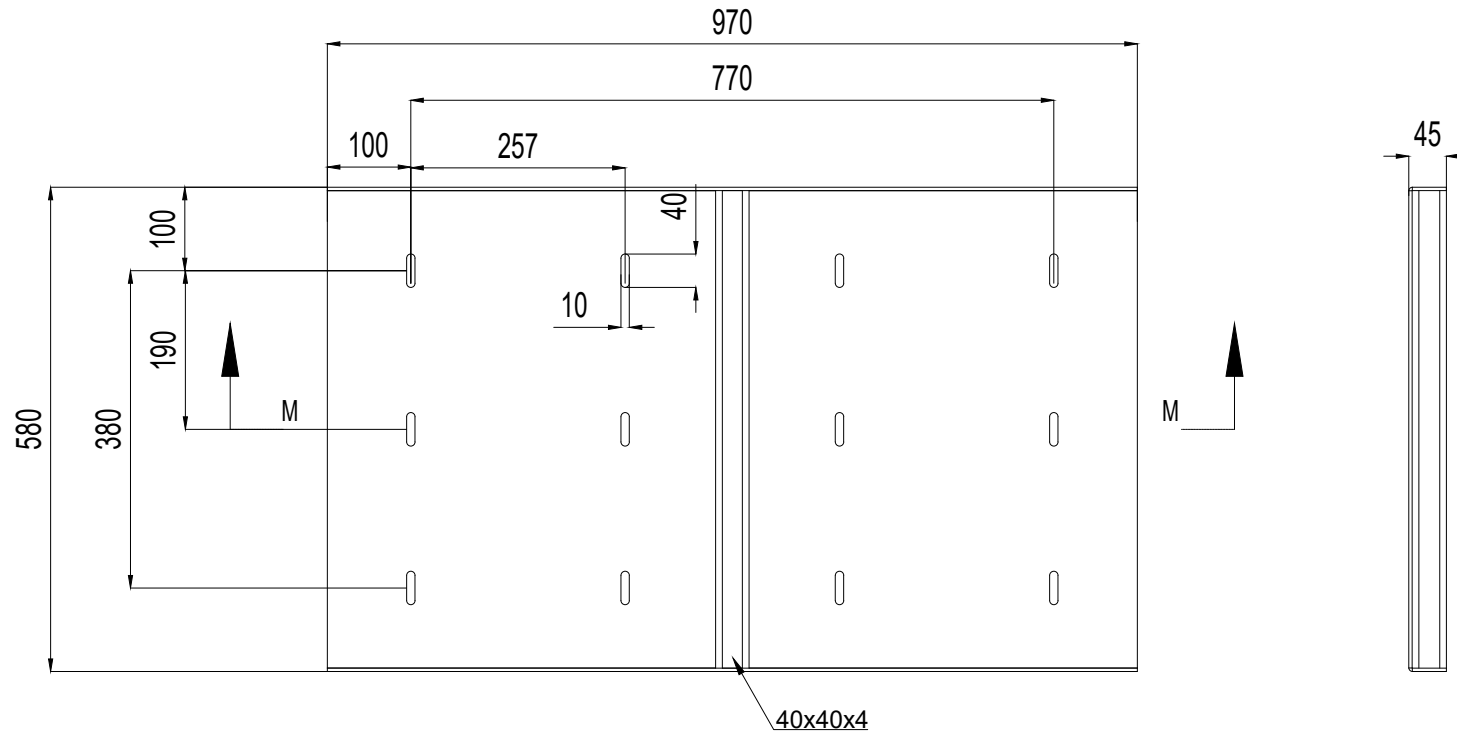
D-D





TOLERANCES: ALL DIMENSIONS IN MM UNLESS STATED OTHERWISE, ALL TOLERANCES TO BE AS FOLLOWS: 0 0.0 0.00 ANG		ABLE POWER		TITLE: ABLE ABOVE GROUND TANKS	
DESIGN	SIGN	DATE	MATERIAL	WEIGHT	PART NO: T4 LAYOUT
CHECKED			Q235B	1288.8 kgs	DWG. NO.
VERIFIED					
APPROVED				REVISION 01	SHEET : 4 TOTAL SHEET : 6 SCALE : NTS



TOLERANCES - ALL DIMENSIONS IN MM UNLESS STATED OTHERWISE, ALL TOLERANCES TO BE AS FOLLOWS: 0 0.0 0.00 ANG				TITLE : ABLE ABOVE GROUND TANKS	
SIGN				DATE	
DESIGN		MATERIAL	WEIGHT	DWG. NO.	
CHECKED		Q235B	1288.8 kgs		
VERIFIED			REVISION	01	SHEET : 5
APPROVED			TOTAL SHEET : 6	SCALE : NTS	



TOLERANCES: ALL DIMENSIONS IN MM UNLESS STATED OTHERWISE, ALL TOLERANCES TO BE AS FOLLOWS: 0 0.0 0.00 ANG				TITLE: ABLE ABOVE GROUND TANKS					
SIGN				DATE		PART NO: T4 LAYOUT			
DESIGN		MATERIAL	WEIGHT	DWG. NO.					
CHECKED		Q235B	1288.8 kgs	REVISION 01					
VERIFIED				SHEET :	6	TOTAL SHEET :	6	SCALE :	NTS
APPROVED									